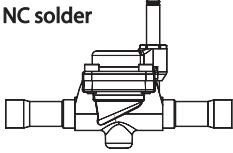
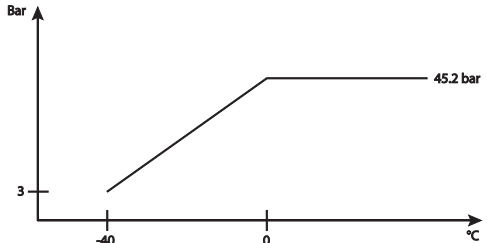
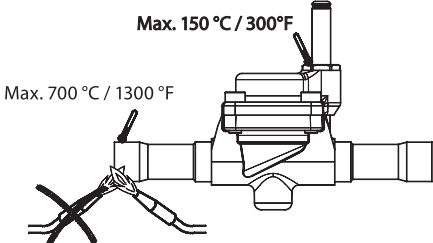
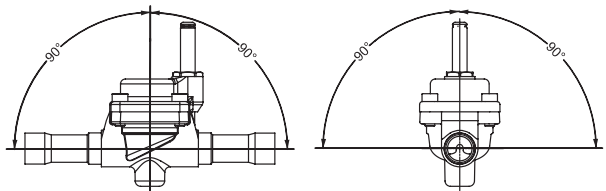
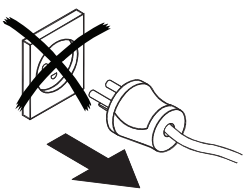
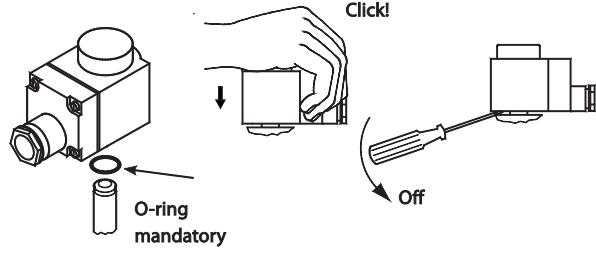
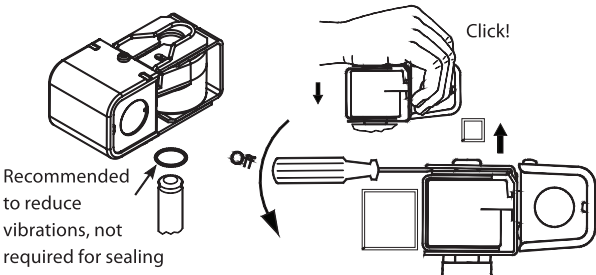
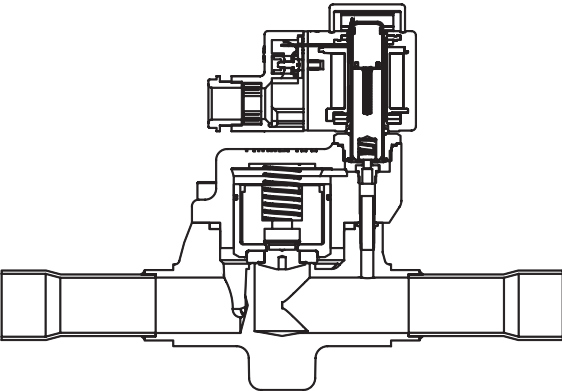
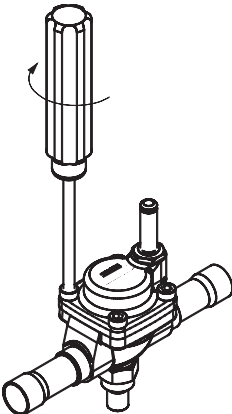
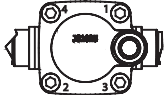


| | |
|---|--|
| <p>NC solder</p>  | |
| <p>Refrigerants R22/R407C, R134a, R404A/R507, R410A, R407A, R407F, R125,</p> <p>Note, please follow specific selection criteria stated in the datasheet for these particular refrigerants.</p> | <p>Max. working pressure EVR solder: 45.2 bar.</p>  <p>Max. working pressure in bar in relation to media temperature in °C.</p> |
| <p>Media temperature: -40 °C / -40 °F – 105 °C / 221 °F</p> | |
| <p>Max. opening diff. pressure (MOPD): Coil dependent</p> | |
| <p>Mounting</p>  | <p>Mounting angle</p>  |
| <p>⚠</p> <p>Always disconnect power from the coil when dismantled from the valve. The coil may be damaged and there is risk of injuries and burns.</p>  | <p>ID Marking - example Valve identification and reference to UL listed coils</p> |
|  <p>Click!</p> <p>O-ring mandatory</p> <p>Off</p> |  <p>Click!</p> <p>Off</p> <p>Recommended to reduce vibrations, not required for sealing</p> |

Disassembly and assembly of EVR version 2

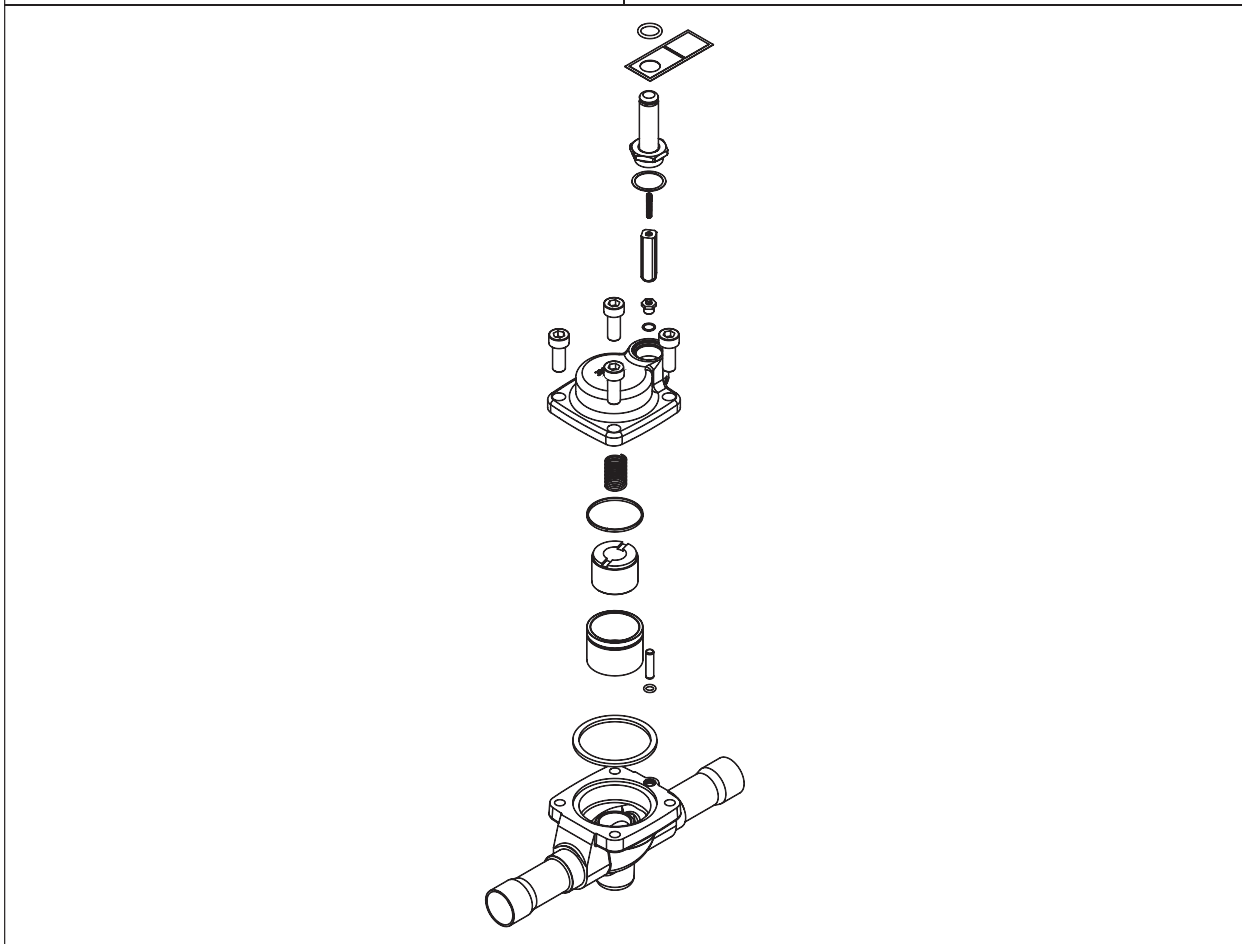


Mounting / dismounting of top part

Notel
Always use cross-tightening

| [Nm] | [kpm] | [ft-lbs] |
|------|-------|----------|
| 30 | 3.0 | 22.5 |



⚠ Manual operation for pressure testing and service related operation:
 Only use the manual stem operation of the EVR NC valve during initial pressure testing of the refrigeration system or during service related manual operation. Remove the protective cap and rotate the manual stem clockwise approx. 6 cycles from fully closed to fully open position. After the manual operation is completed, ensure to rotate the manual stem counter-clockwise back to fully closed position and re-mount the protective cap before connecting the valve to automatic operation. MOPD for the manual operation function is 5 bar. Alternatively, all EVR NC and NO valves can be manually operated by removing the coil and force the valve open or closed by using a solenoid valve tester (permanent magnet).