



INSTALLATION DATA RESIDENTIAL AND LIGHT COMMERCIAL DEFROST TIMER



CAUTION

THIS DEFROST TIMER SHOULD BE REPLACED ONLY BY QUALIFIED PERSONNEL. IMPROPER INSTALLATION CAN PRESENT A HAZARD.

1. Disconnect power to the refrigerator or freezer.
2. Determine appliance make or model and part number of timer. Consider timer cross-reference if necessary.
3. This kit includes: Mounting Screws, Mounting Bracket.
4. If original timer is connected with a 4 position plug, remove it and check connections for proper order (wired correctly). If not correct, remap connector or wire each terminal individually with a proper electrical spade connection. Make sure terminals do not touch each other.
5. If replacement timer has a loose lead, it must be connected to terminal 1 or 2, or a malfunction will occur. Use Figure 2 and 3 to determine proper connection of the loose wire lead, depending on whether refrigeration unit has a continuous or compressor run timer function.
6. If original timer has a ground connection, remove it and tape it away from all other connections. Replacement timer does not need a ground wire.

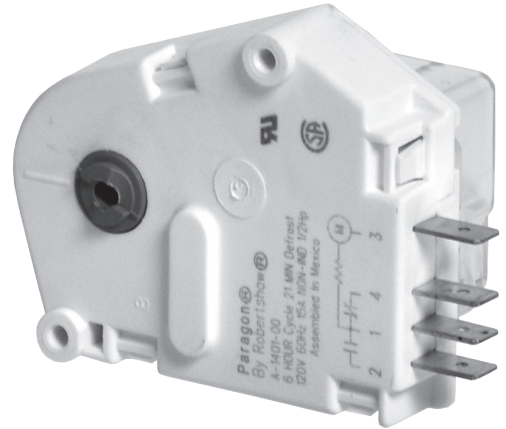
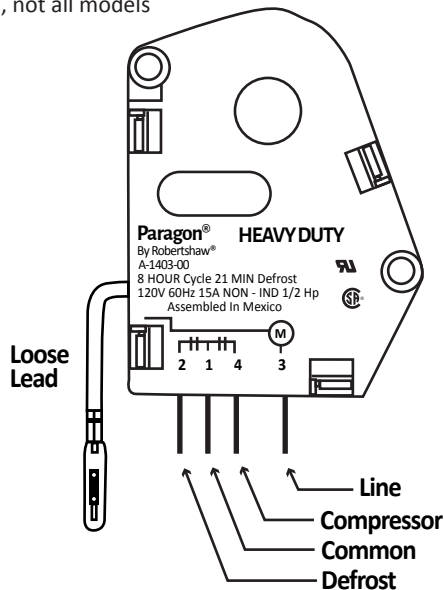
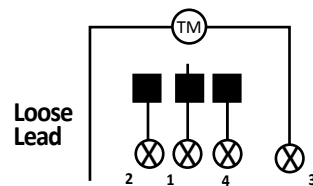


Figure 1

(Timer shown has loose lead, not all models have a loose lead.)

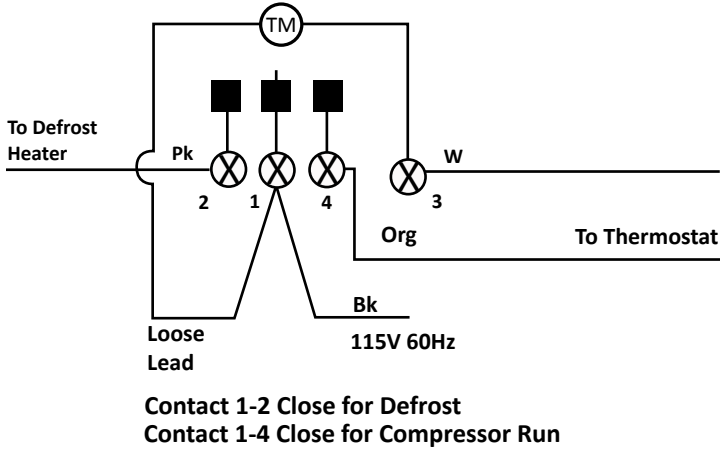


Mounting hole for #6 self tapping screw



Contact 1-2 Close for Defrost
Contact 1-4 Close for Compressor Run

Figure 2 - Continuous Run Timers

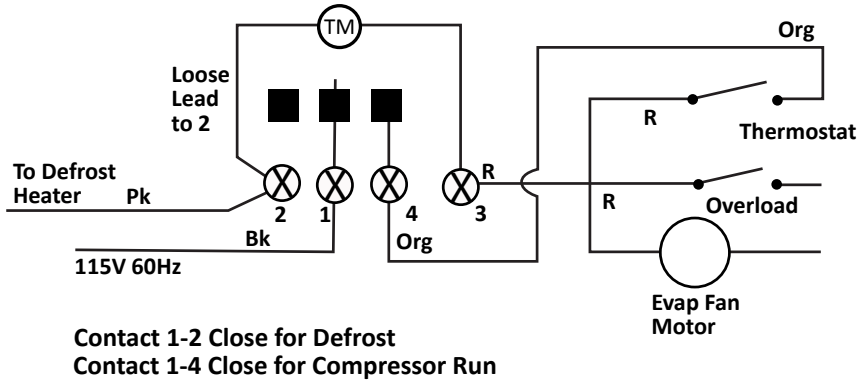


For replacement of *continuous run* timers (timers that run constantly)

Connect loose motor lead to terminal 1

These timers are used on some older model freezers, top-mounted refrigerators and all side-by-side refrigerators.

Figure 3 - Compressor Run Timers



For replacement of *compressor run* timers (timers that run only when the compressor runs)

Connect loose motor lead to terminal 2

These timers are used in some older model side-by-side and top-mounted refrigerators and freezers.