



WARNING

SERVICING OF GAS CONTROLS, APPLIANCES AND SYSTEMS MUST BE PERFORMED BY QUALIFIED SERVICE PERSONNEL ONLY

Adjustment of the pressure regulator is not normally necessary since it is pre-set at the factory. However, field adjustment may be accomplished as follows:

NOTE: Manometer attachment may be accomplished at pressure tap plug, above control outlet, as shown in figure 1 below.

1. Manometer or gauge attachment may be accomplished at pressure tap plug.

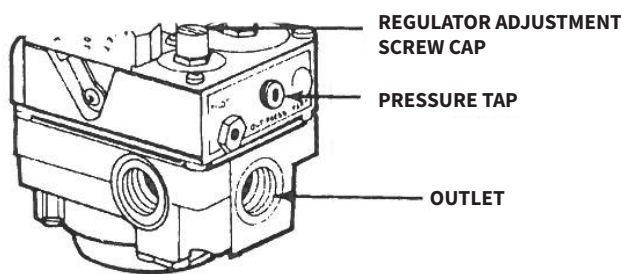


FIGURE 1

2. Remove regulator adjustment screw cap. (Top of control.)
3. With small screwdriver, rotate adjustment screw clockwise to increase, or counterclockwise to decrease pressure to comply with manufacturer's specifications.
4. Replace regulator adjustment screw cap.

REGULATOR CONVERSION

CAUTION: Main burner and pilot orifices must be changed when regulator is converted from one type of gas to another.

The 720 Series valves can be converted from natural to L.P. by installing the enclosed conversion kit. See figure 2.

1. Turn off gas and electricity to appliance.
2. Remove slotted cap (A), adjusting screw (B), and natural gas spring - not color coded - (C), from control.
3. Install new L.P. spring - color coded with a black strip.

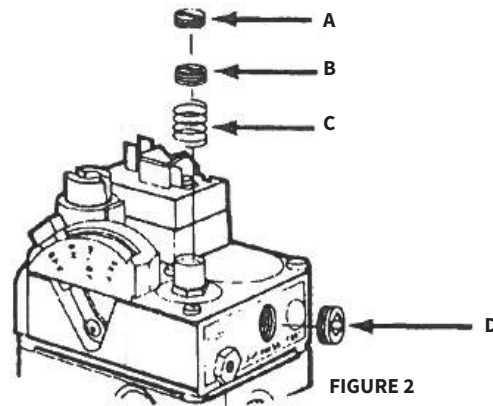


FIGURE 2

4. Install new adjusting screw (B).
5. Attach manometer or pressure gauge at the outlet pressure tap(D).
6. Turn gas and electricity on.
7. Turn room thermostat to call for heat.
8. With burner on, adjust screw (B) to supply L.P. gas to pressure as recommended by the appliance manufacturer.
9. If adjusting screw (B) reaches its maximum depth (bottoms out) before recommended pressure setting is reached, turn screw counterclockwise until pressure drops slightly (approximately 0.1" W.C.) **WARNING:** Do not stretch or alter spring.
10. Turn off gas and electricity to appliance.
11. Remove manometer or pressure gauge and reinstall fitting.
12. Install new red slotted cap in place of (A).
13. Turn gas and electricity on.
14. With burner operating, immediately check all fittings for leaks with soap solution. Bubbles indicate leaks that must be corrected.
15. Attach label to show control has been converted to L.P.
16. Set room thermostat to desired temperature.