

Robertshaw®

KSI SERIES

INFINITE SWITCH

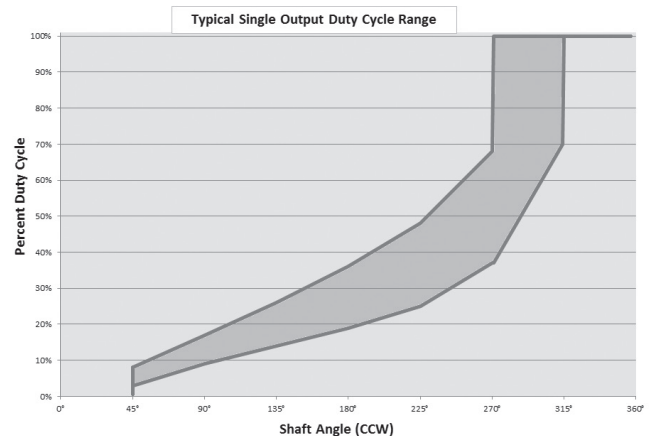


The Robertshaw® KSI Series Infinite Switch is a current sensitive rotary switch. A current sensitive switch must be matched to the specific wattage of the heating element. A KSI switch controls the power dissipated by a heating element. It is used on electric ranges, hot plates, warming drawers and zones, barbecue grills, space heaters, quartz heaters and many applications which call for proportionate control of a resistive load.

Features and Benefits

- Small compact design
- Single outputs
- New and improved mounting
- Double line break
- Clockwise or counterclockwise rotation
- Variety of shaft lengths and configurations
- Push-To-Turn (PTT)

Duty Cycle Output Curves

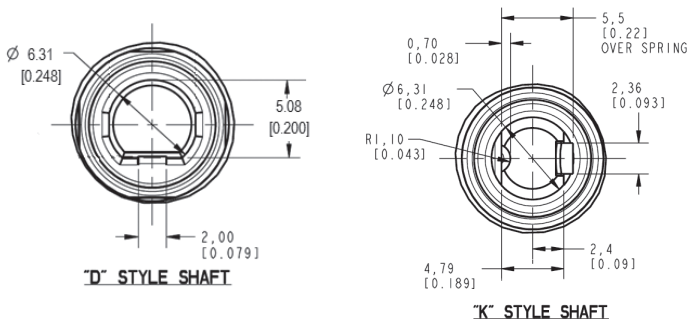


Specifications

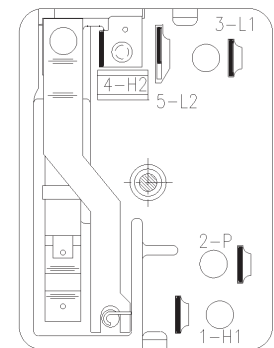
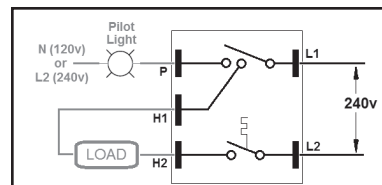
Uniline Part Number	Bulk	Pilot Term	Stem Shape	BOS	Stem Length Shortest/ Longest	Mtg. Style	PTT or NON	Volt=240 Amps/Watts	OEM Replacement	OEM
66004-AF101	831473	Large	SPL D	No	0.6	Screw	PTT	5.2-6.25/1500	184-1L061	Brown Stove
66004-AF102	832458	Large	SPL D	No	0.6	Screw	PTT	8.8-10.8/2600	184-1L062	Brown Stove
66004-AF13	822438	Small	SPL D	No	0.85	Screw	PTT	8.5-10.5/2350	WB21X226	GE
66004-AF18	811430	Small	Z	Yes	.830/1.375	Screw	PTT	5.2-6.6/1400	WP3149401	Whirlpool
66004-AF19	812613	Small	Z	Yes	.830/1.375	Screw	PTT	8.9-11.0/2600	WP3149399	Whirlpool
66004-AF23	811440	Small	Z	Yes	0.645/0.930	Screw	PTT	5.2/606/1400	WP3149404	Whirlpool
66004-AF27	811444	Small	Z	No	0/0.780	Screw	PTT	5.2 - 6.6/1400	WB23M24	GE
66004-AF38	812639	Small	Z	Yes	0.645/0.930	Screw	PTT	8.9-11.0/2600	3148953	Whirlpool
66004-AF64	812677	Small	Z	No	0.781	Screw	PTT	8.9-11.0/2600	WB24T10025	GE
66004-AF65	812120	Small	Z	No	0.781	Screw	PTT	7.5-9.3/2040	WB24T10027	GE
66004-AF66	811612	Small	Z	No	0.781	Screw	PTT	4.4-7.4/1560	WB24T10029	GE
66004-AF70	811458	Large	SPL D	No	0.687	Screw	PTT	5.2-6.25/1500	316436000	Electrolux
66004-AF71	812448	Large	SPL D	No	0.687	Screw	PTT	8.8-10.8/2600	316436001	Electrolux
66004-AF80	812608	Small	Z	Yes	0.645/0.930	Screw	PTT	8.9-11.0/2600	3149400	Whirlpool
66004-AF84	811411	Small	Z	Yes	0.45/0.930	Screw	PTT	5.2-6.6/1400	3149404	Whirlpool
66004-AF86	811530	Large	Z	No	0.94	Screw	PTT	5.4-7.0/1500	2286	Peerless
66004-AF87	812660	Large	Z	No	0.94	Screw	PTT	8.9-11.0/2600	2287	Peerless
66004-AF98	811484	Large	SPL D	No	0.785	Screw	PTT	5.2-6.6/1400	7406P238-60	Maytag
66004-AF99	812675	Large	SPL D	No	0.785	Screw	PTT	8.9-11.0/1400	7403P239-60	Maytag
	812653	Small	Z	No	0.781	Screw	PTT	8.9-11.0/2600	WB24T10025	GE
	811201	Small	Z	No	0.625	Screw	PTT	4.4-5.8/1200	3148951	Whirlpool
	811701	Small	Z	No	0.625	Screw	PTT	5.4-7.8/1700	WP3148952	Whirlpool

Product Drawings

Knob Shaft Styles



Electrical Schematics



Customer Service (Europe) +420.587.805.197
 Customer Service (Europe) Facsimile: +420.587.805.244
 monika.hruha@robertshaw.com
 veronika.tomaskova@robertshaw.com
 Customer Service (Americas) +1.800.304.6563
 HVACCustomerService@robertshaw.com

For Technical Service
 Telephone 1.800.445.8299
 TechnicalService@robertshaw.com

Robertshaw® is a trademark of Robertshaw its subsidiaries and/ or affiliated companies. All other brands mentioned may be the trademarks of their respective owners.

www.robertshaw.com
 ©2017 Robertshaw
 10/17 - 150-2649