

IMV-576

The Robertshaw® S-86 single and N-86 dual Water Valve Series are automatic icemaker valves for residential refrigerator icemakers. The N-86 valve allows individual control of water flow through two outlets by using a single inlet for water to the door and for water to fill the icemaker.

Features and Benefits

- Direct acting armature provides high flow capacity with minimum power requirements
- Encapsulated coil provides high mechanical and dielectric strength, and is moisture resistant
- Unique armature and seat design reduce unwanted particles from entering the armature area
- Armature is designed with clearances which minimize the possibility of jamming due to foreign materials
- Bodies are made of polypro which provides high resistance to corrosion and mineral deposits
- Suitable for applications using water at temperatures up to 160°F (71°C)

REPLACEMENT INFORMATION

Part Numbers	Replaces	Factory Number
IMV-114	Whirlpool 12544114, Whirlpool 67005154	K-75985
IMV-124	Whirlpool 12544124	K-77198
IMV-201	Electrolux 40493201, Electrolux 240519601	K-74945
IMV-322	Whirlpool 12956102, Whirlpool 67006322	K-76376
IMV-494	Whirlpool 2210494	K-75973
IMV-542	Whirlpool 2188542	K-74982
IMV-576	Whirlpool 2315576, Whirlpool 2315508, Whirlpool W1048974, Whirlpool 4318047	K-78186
IMV-696	Whirlpool W10312696	K-77623
IMV-701	Electrolux 218859701	K-75425
IMV-708	Whirlpool 2188708	K-75717
IMV-716	Whirlpool 10219716	K-77205
IMV-782	Whirlpool 2188782	K-75978
IMV-990	Whirlpool W10342318, Whirlpool 10498990	K-77999
IMV-1101	Electrolux 240531101, Electrolux 2403218A, Electrolux 241734301	K-75206
IMV-2401	Electrolux 218832401	K-75423
IMV-8100	Whirlpool 10238100	K-77473

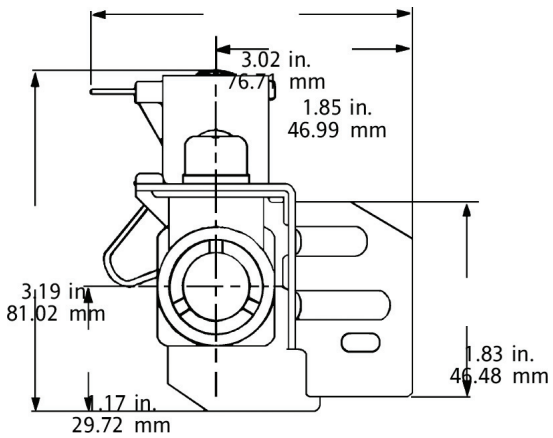
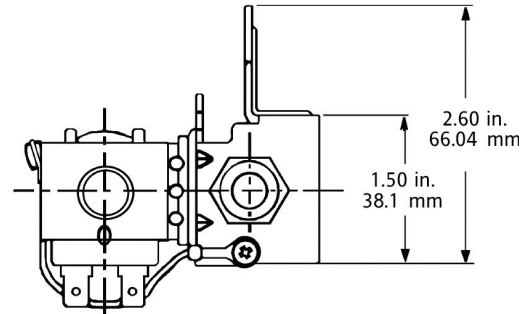
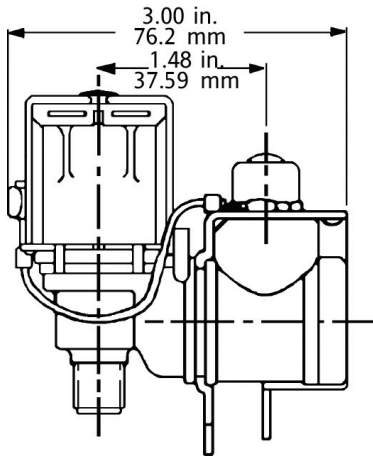
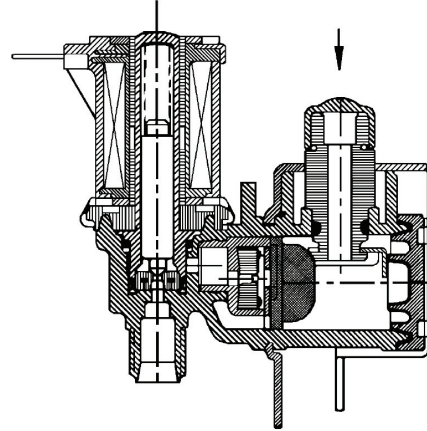
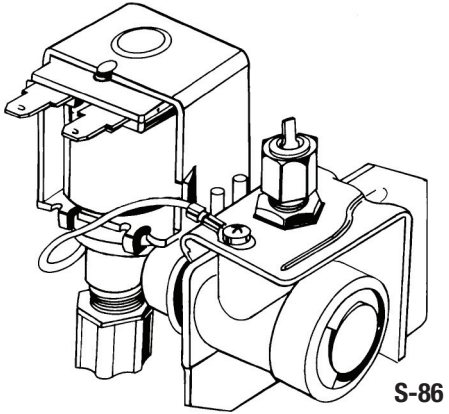


Robertshaw®

S-86
N-86
SERIES

WATER
VALVES

PRODUCT DRAWINGS

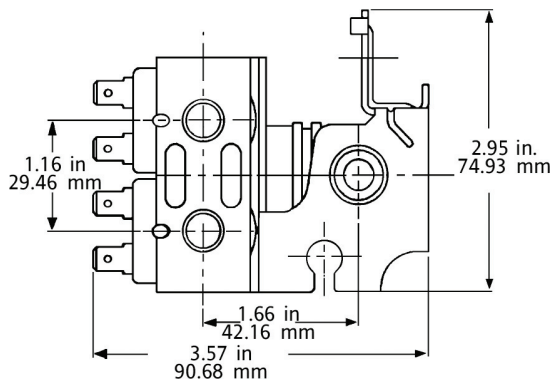
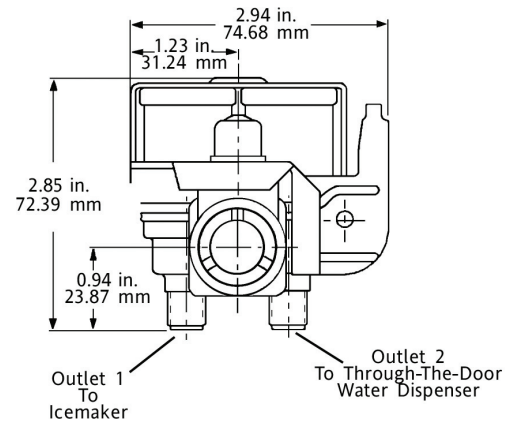
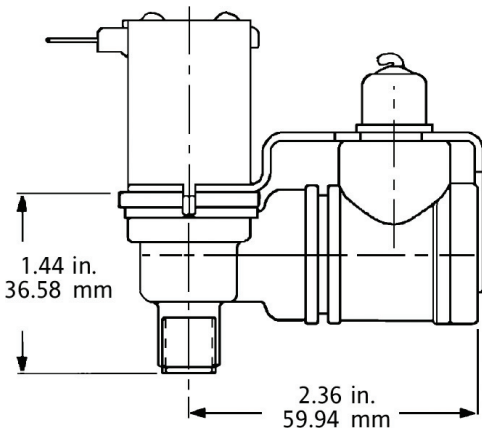
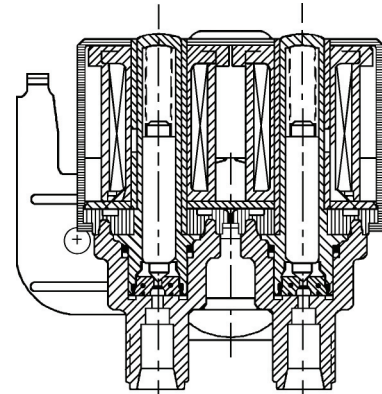
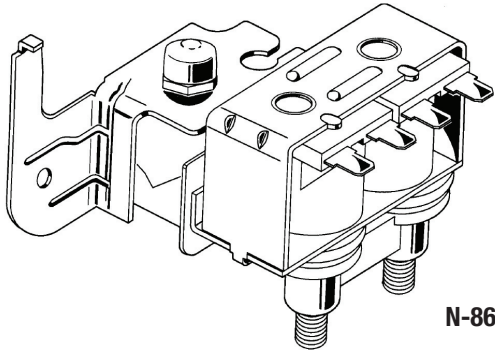


Robertshaw®

S-86
N-86
SERIES

WATER
VALVES

PRODUCT DRAWINGS





S-86 N-86 SERIES

WATER VALVES

SPECIFICATIONS

Part Numbers	Description	Flow Rate	Inlet	Outlet	Operating Pressure	Terminals	Body Material	Electrical Rating	Power
IMV-114	Residential Ice Machine Water Valve N-86 Dual	115-154 CC in 7.5 seconds, 40-80 CC per second	5/16" quick connect	1/4" quick connect, 5/16" quick connect	20 PSI to 120 PSI	1/4" Male 3/16" Male	Polypro	120V AC 60 Hz	35 Watts 20 Watts
IMV-124	Residential Ice Machine Water Valve N-86 Dual	115-154 CC in 7.5 seconds, 40-80 CC per second	5/16" quick connect	1/4" quick connect, 5/16" quick connect	20 PSI to 120 PSI	1/4" Male 3/16" Male	Polypro	120V AC 60 Hz	35 Watts 20 Watts
IMV-201	Residential Ice Machine Water Valve S-86	140 CC in 7.5 seconds	7/16" 24 UNS	7/16" 20 UNF	20 PSI to 120 PSI	1/4" Male	Polypro	120V AC 60 Hz	35 Watts
IMV-322	Residential Ice Machine Water Valve N-86 Dual	115-154 CC in 7.5 seconds, 40-80 CC per second	5/16" quick connect	1/4" quick connect, 5/16" quick connect	20 PSI to 120 PSI	1/4" Male 3/16" Male	Polypro	120V AC 60 Hz	35 Watts 20 Watts
IMV-494	Residential Ice Machine Water Valve S-86	0.06 GPM to 0.60 GPM	1/4" flare, loxit or compression	7/16" 20 UNF	20 PSI to 120 PSI	1/4" Male	Polypro	120V AC 60 Hz	35 Watts
IMV-542	Residential Ice Machine Water Valve N-86 Dual	113-141 CC in 7.5 seconds, 24-58 CC per second	7/16" 20 UNF	7/16" 20 UNF, 1/2" 20 UNF	20 PSI to 120 PSI	1/4" Male 3/16" Male	Polypro	120V AC 60 Hz	35 Watts 20 Watts
IMV-576	Residential Ice Machine Water Valve S-86	0.06 GPM to 0.60 GPM	1/4" flare, loxit or compression	7/16" 20 UNF	20 PSI to 120 PSI	1/4" Male	Polypro	120V AC 60 Hz	35 Watts
IMV-696	Residential Ice Machine Water Valve N-86 Dual	70 CC in 7.5 seconds, 40-80 CC per second	5/16" quick connect	1/4" quick connect, 5/16" quick connect	20 PSI to 120 PSI	1/4" Male 3/16" Male	Polypro	120V AC 60 Hz	35 Watts 20 Watts
IMV-701	Residential Ice Machine Water Valve S-86	No flow control	7/16" 24 UNS	7/16" 20 UNF	20 PSI to 120 PSI	1/4" Male	Polypro	120V AC 60 Hz	15 Watts
IMV-708	Residential Ice Machine Water Valve N-86 Dual	130 CC in 7.5 seconds, 22-38 CC per second	1/4" flare, loxit or compression	7/16" 20 UNF, 1/2" 20 UNF	20 PSI to 120 PSI	1/4" Male, 3/16" Male	Polypro	120V AC 50/60 Hz	35 Watts 20 Watts
IMV-716	Residential Ice Machine Water Valve S-86	140 CC in 7.5 seconds	7/16" 24 UNS	1/4" quick connect	20 PSI to 120 PSI	1/4" Male	Polypro	120V AC 60 Hz	35 Watts
IMV-782	Residential Ice Machine Water Valve S-86	140 CC in 7.5 seconds	7/16" 24 UNS	7/16" 20 UNF	20 PSI to 120 PSI	1/4" Male	Polypro	120V AC 60 Hz	35 Watts
IMV-990	Residential Ice Machine Water Valve S-86	180-600 CC in 7.5 seconds	7/16" 24 UNS	5/16" quick connect	20 PSI to 120 PSI	1/4" Male	Polypro	120V AC 60 Hz	20 Watts
IMV-1101	Residential Ice Machine Water Valve Triple NS-86	140 CC in 7.5 seconds, 180-600 CC in 7.5 seconds	7/16" 20 UNS	7/16" 20 UNF, 1/2" 20 UNF	20 PSI to 120 PSI	1/4" Male	Polypro	120V AC 60 Hz	15 Watts 35 Watts
IMV-2401	Residential Ice Machine Water Valve N-86 Dual	116 CC in 7.5 seconds	7/16" 20 UNF	7/16" 20 UNF	20 PSI to 120 PSI	1/4" Male	Polypro	120V AC 60 Hz	35 Watts 15 Watts
IMV-8100	Residential Ice Machine Water Valve S-86	180-600 CC in 7.5 seconds	7/16" 24 UNS	5/16" quick connect	20 PSI to 120 PSI	1/4" Male	Polypro	120V AC 60 Hz	20 Watts



Customer Service Telephone 1.800.304.6563
Customer Service Facsimile 1.800.426.0804
HVACCustomerService@robertshaw.com

For Technical Service
Telephone 1.800.445.8299
TechnicalService@robertshaw.com

Robertshaw® and Uni-Line® are trademarks of Robertshaw, its subsidiaries and/or affiliated companies. All other brands mentioned may be the trademarks of their respective owners.

www.robertshaw.com
©2016 Robertshaw
09/16 – 150-2437 Rev C