

Mechanical Defrost Timer

8000 Series

PARAGON®



8145-20



8145-20MC

Description

Designed for commercial freezers and refrigerators, Paragon® Commercial Defrost Controls have been reliably providing automatic defrost capability for decades. They accommodate various types of defrost systems including electric defrost heaters, hot gas and compressor off cycle.

Features and Benefits

- High-amp switch contacts, 40 amps, 2 HP
- Positive slider bar switch design assures positive electrical contact and wipes the contact surface of contaminants
- Temperature or Pressure Terminated models are designed for defrost termination using an external temperature or pressure device
- Safety back-up – mechanical time-driven defrost termination
- Heavy-duty synchronous design drive motor
- Choice of three contact arrangements
- Adjustable frequency of defrost initiation from 1 to 6 cycles per day with a minimum of 4 hours between successive operations
- Adjustable back-up defrost termination from 4 to 110 minutes in 2 minute increments
- Heavy-duty steel enclosure with knockouts (on the bottom, back and sides) and hasp and staple padlock
- 8145-20MC Mechanism Only Defrost Timer for 208-240VAC, and is now available in a convenient clamshell package

1 Year
Limited
Warranty

Robertshaw
RANCO • PARAGON • CASTFUTURA

Customer Service
+1 800 304 6563
HVACCustomerService
@robertshaw.com

www.robertshaw.com
©2025 Robertshaw
02/26 150-2230 RevD

Ordering Information

Model Number		Time Initiated, Time Terminated	Time Initiated, Temperature or Pressure Terminated
120V AC	208/240V AC		
8041-00	8041-20	•	
8045-00	8045-20	•	
8047-00	8047-20	•	
8141-00	8141-20		•
8143-00	8143-20		•
8145-00	8145-20		•
	8145-20MC		•

8040 Series Specifications

Part No.	Volts 60 Hz	Description	Switch arrangement contacts 2-4	Switch arrangement contacts 1-3	Switch arrangement contacts 3-N	Adj. length of defrost
8041-00	120	For Electric Heat Defrosting (Auxiliary Contact Models), Bracket available	Closed	Open	Closed	4-110 Min.
8041-20	208-240	For Electric Heat Defrosting (Auxiliary Contact Models), 50 Hz available	Closed	Open	Closed	4-110 Min.
8045-00	120	For Electric Heat, Hot Gas, or Compressor Shutdown Defrosting, Bracket available	Closed	Open	None	4-110 Min.
8045-20	208-240	For Electric Heat, Hot Gas, or Compressor Shutdown Defrosting, Bracket and 50 Hz available	Closed	Open	None	4-110 Min.
8047-00	120	For Electric Heat Defrosting (Auxiliary Contact Models)	Open	Open	Closed	4-110 Min.
8047-20	208-240	For Electric Heat Defrosting (Auxiliary Contact Models), 50 Hz available	Open	Open	Closed	4-110 Min.

8140 Series Specifications

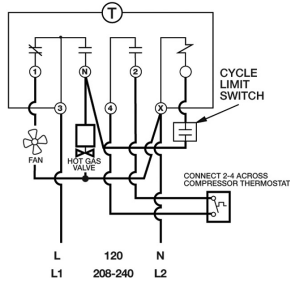
Part No.	Volts 60 Hz	Normal Position of Contacts During Refrigeration Cycle/Contact 3-N	Normal Position of Contacts During Refrigeration Cycle/Contact 1-3	Normal Position of Contacts During Refrigeration Cycle/Contact 2-4	Comments
8141-00	120	Closed	Open	Closed	Bracket available and 50 Hz
8141-20	208-240	Closed	Open	Closed	Bracket available and 50 Hz
8143-00	120	Open	Closed	Open	Bracket available
8143-20	208-240	Open	Closed	Open	Bracket available
8145-00	120	None	Open	Closed	Bracket available and 50 Hz
8145-20	208-240	None	Open	Closed	Bracket available and 50 Hz
8145-20MC	208-240	None	Open	Closed	Mechanism Only, Clamshell Packaging, Bracket available and 50 Hz

Applications and Wiring Diagrams

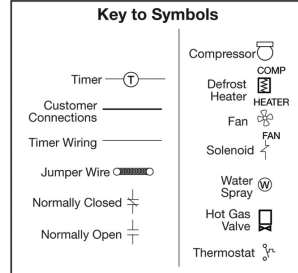
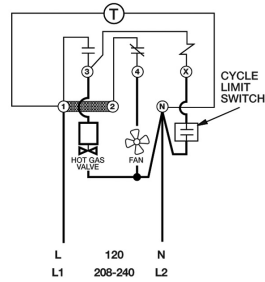
WIRING DIAGRAMS FOR 8140 SERIES

HOT GAS DEFROSTING

MODELS 8143-00 AND 8143-20



MODELS 8145-00, 8145-20, E357-00 AND 8145-20MC

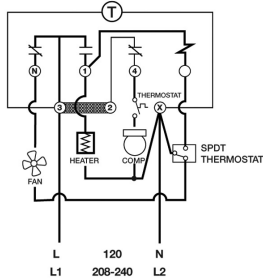


Wiring using 120V or 240V single phase line hot gas solenoid valve voltage common to timer. Refrigeration Cycle: Fan ON, hot gas solenoid valve closed, compressor ON. Defrost Cycle: Fan OFF, hot gas solenoid valve open, compressor ON.

Wiring using 120V or 240V single phase line with compressor thermostat closed during defrost.

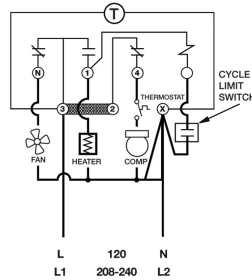
ELECTRIC HEAT DEFROSTING

MODELS 8141-00 AND 8141-20



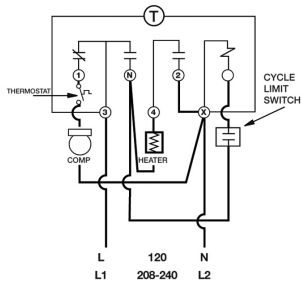
Wiring using differential of SPDT thermostat to delay fan after defrosting.

MODELS 8141-00 AND 8141-20



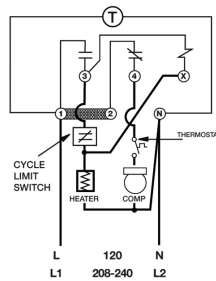
Wiring using 120V or 240V single phase line with auxiliary fan circuit.

MODELS 8143-00 AND 8143-20



Wiring using 240V single phase line breaking both sides of heater circuit.

MODELS 8145-00, 8145-20 AND 8145-20MC



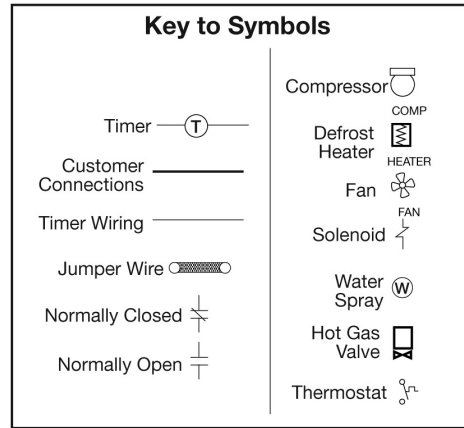
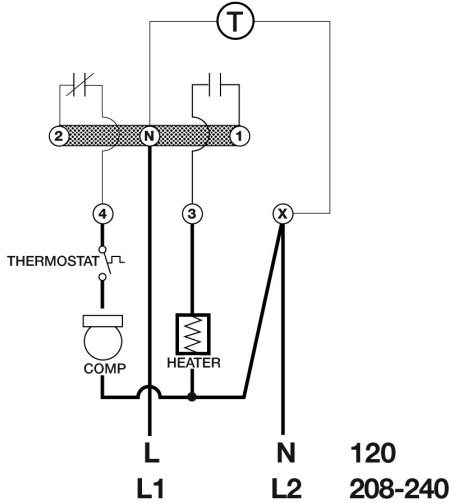
Normally closed thermostat used with defrost heater. Wiring using 120V or 240V single phase line compressor voltage common to timer.

Applications and Wiring Diagrams

WIRING DIAGRAMS FOR 8040 SERIES

ELECTRIC HEAT DEFROSTING

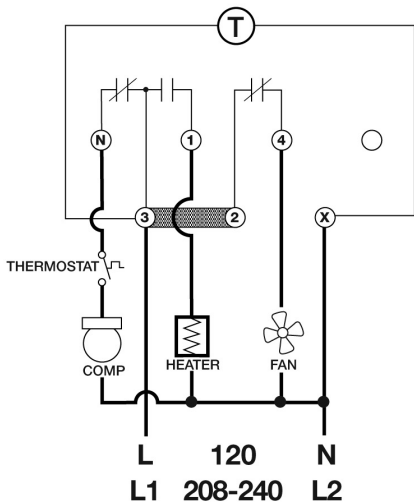
MODELS 8045-00 AND 8045-20



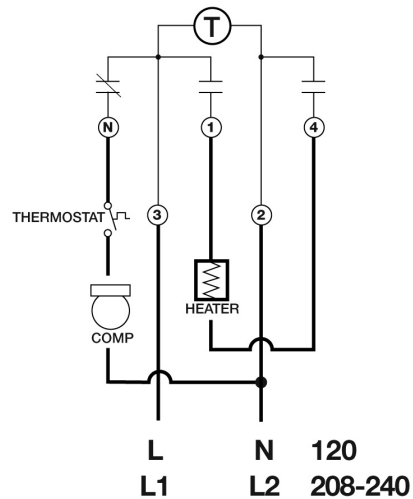
Heater not to exceed 4000 watts at 120VAC or 8000 watts at 240VAC.

ELECTRIC HEAT DEFROSTING

MODELS 8041-00 AND 8041-20



MODELS 8047-00 AND 8047-20



Fan and compressor loads not to exceed 2 hp. Heater not to exceed 4000 watts at 120V AC or 8000 watts at 240V AC.

The method of wiring shown is for an electric heat defrost system breaking both sides of the heater circuit.