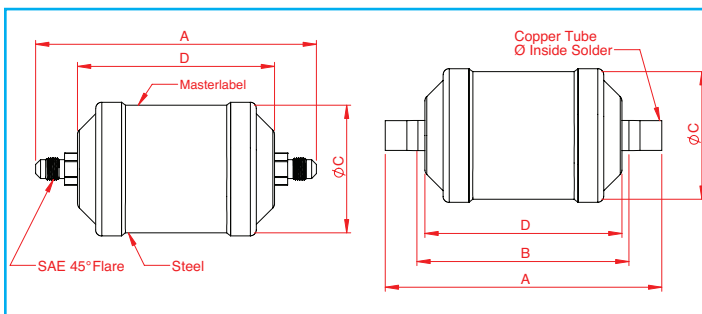




RFD-083S

### Filter Drier Specifications

Capacity Range	3 - 41 cubic inches
Operating Pressure	0 to 680 PSI (0 to 47 bar/4.7 MPa)
Temperature Range	-40°F to 158°F (-40°C to 70°C)
Compatible Fluids	R22, R134A, R404A, R407C, R410A, R502, R507, R290
Connection Size Range	1/4" 3/8" 1/2" 5/8"
Desiccant Type	Solid core (80% desiccant, 20% activated alumina)



Ranco® Filter Driers are designed to stop contaminants and remove moisture from refrigerants to protect those sensitive system parts.

Available in both single direction and bi-flow models, Ranco Filter Driers are compatible with R22, R134A, R404A, R407C, R410A, R502, R507 and R290 refrigerants, and rated for 1-50 Tons. A filter pad removes particles down to an industry leading 20µm, and top quality desiccant, available in a solid core configuration, induces and sustains a state of dryness. Optional activated alumina added to the desiccant also helps remove inorganic acids present in refrigerant.

To provide superior protection and excellent filtration in a leak-free steel body assembly, Ranco Filter Driers go through thorough design, production, testing, and quality processes. Ranco® team of engineers from around the globe set out to design the most durable and efficient filter driers that will keep systems running safely for years to come. Our ISO 9001:2008 certified manufacturing facilities then exercise the highest level of craftsmanship in manufacturing, ensuring that every part exceeds your expectations.

### Features and Benefits

- Premium filter materials allow for 40% more filtration, ensuring greater reliability
- Top-quality desiccant for excellent absorption and long-lasting durability
- Solder or mechanical fittings facilitate ease of installation
- Mesh/fiberglass filter pad designed to prevent contaminants passing into or being released back into the system, ensuring superior protection. Removes particles down to 20µm
- Leak free welds

### Applications

- Permanent liquid line
- Removable suction line
- Commercial



# FILTER DRIERS

## Specifications

Part Numbers	Flow	Capacity (Cubic Inches)	Fitting Type	Fitting Size	Dimensions (Inches)				Replaces			
					A	B	C	D	Emerson	Parker Hannifin	Danfoss	Sanhua
RFD-032S	Mono	3	ODF	1/4"	3.78	2.56	1.69	2.36	EK-032S	LLD-032S	DCL 032S	FD-032-S
RFD-033S	Mono	3	ODF	3/8"	3.86	2.60	1.69	2.36	EK-033S		DCL 033S	FD-033-S
RFD-052S	Mono	5	ODF	1/4"	4.55	3.33	2.50	3.13	EK-052S	LLD-052S	DCL 052S	FD-052-S
RFD-053S	Mono	5	ODF	3/8"	4.63	3.37	2.50	3.13	EK-053S	LLD-053S	DCL 053S	FD-053-S
RFD-082S	Mono	8	ODF	1/4"	5.28	4.06	2.50	3.86	EK-082S	LLD-082S	DCL 082S	FD-082-S
RFD-083S	Mono	8	ODF	3/8"	5.35	4.09	2.50	3.86	EK-083S	LLD-083S	DCL 083S	FD-083-S
RFD-084S	Mono	8	ODF	1/2"	5.42	4.17	2.50	3.86	EK-084S	LLD-084S	DCL 084S	FD-084-S
RFD-163S	Mono	16	ODF	3/8"	6.17	5.08	2.50	4.84	EK-163S	LLD-163S	DCL 163S	FD-163-S
RFD-164S	Mono	16	ODF	1/2"	6.23	5.16	2.50	4.84	EK-164S	LLD-164S	DCL 164S	FD-164-S
RFD-165S	Mono	16	ODF	5/8"	6.42	5.24	2.50	4.84	EK-165S	LLD-165S	DCL 165S	FD-165-S
RFD-303S	Mono	30	ODF	3/8"	8.84	7.58	2.99	7.34	EK-303S		DCL 303S	FD-303-S
RFD-304S	Mono	30	ODF	1/2"	9.00	7.66	2.99	7.34	EK-304S	LLD-304S	DCL 304S	FD-304-S
RFD-305S	Mono	30	ODF	5/8"	9.23	7.74	2.99	7.34	EK-305S	LLD-305S	DCL 305S	FD-305-S
RFD-306S	Mono	30	ODF	3/4"	9.31	7.74	2.99	7.34	EK-306S	LLD-306S	DCL 306S	FD-306-S
RFD-307S	Mono	30	ODF	7/8"	9.31	7.74	2.99	7.34	EK-307S	LLD-307S	DCL 307S	FD-307-S
RFD-415S	Mono	41	ODF	5/8"	8.76	7.42	3.50	7.19	EK-415S	LLD-415S	DCL 415S	FD-415-S
RFD-417S	Mono	41	ODF	7/8"	9.39	7.50	3.50	7.19	EK-417S	LLD-417S	DCL 417S	FD-417-S
RFD-032	Mono	3	SAE	1/4"	4.13		1.69	2.36	EK-032	LLD-032	DCL 032	FD-032
RFD-052	Mono	5	SAE	1/4"	4.86		2.50	3.13	EK-052	LLD-052	DCL 052	FD-052
RFD-053	Mono	5	SAE	3/8"	5.30		2.50	3.13	EK-053	LLD-053	DCL 053	FD-053
RFD-082	Mono	8	SAE	1/4"	5.63		2.50	3.86	EK-082	LLD-082	DCL 082	FD-082
RFD-083	Mono	8	SAE	3/8"	6.02		2.50	3.86	EK-083	LLD-083	DCL 083	FD-083
RFD-163	Mono	16	SAE	3/8"	7.01		2.50	4.84	EK-163	LLD-163	DCL 163	FD-163
RFD-164	Mono	16	SAE	1/2"	7.17		2.50	4.84	EK-164	LLD-164	DCL 164	FD-164
RFD-165	Mono	16	SAE	5/8"	7.60		2.50	4.84	EK-165	LLD-165	DCL 165	FD-165
RFD-303	Mono	30	SAE	3/8"	9.51		2.99	7.34	EK-303	LLD-303	DCL 303	FD-303
RFD-304	Mono	30	SAE	1/2"	9.67		2.99	7.34	EK-304	LLD-304	DCL 304	FD-304
RFD-305	Mono	30	SAE	5/8"	10.10		2.99	7.34	EK-305	LLD-305	DCL 305	FD-305
RBFD-083S	Bi	8	ODF	3/8"	5.04	3.78	52.50	3.54	BFK-083S	BF083S	DCB 083S	FDBI-083-S
RBFD-084S	Bi	8	ODF	1/2"	5.10	3.86	52.50	3.54	BFK-084S	BF084S	DCB 084S	FDBI-084-S
RBFD-163S	Bi	16	ODF	3/8"	5.75	4.67	2.99	4.43	BFK-163S	BF163S	DCB 163S	FDBI-163-S
RBFD-164S	Bi	16	ODF	1/2"	5.81	4.74	2.99	4.43	BFK-164S	BF164S	DCB 164S	FDBI-164-S
RBFD-165S	Bi	16	ODF	5/8"	6.00	2.99	2.99	4.43	BFK-165S	BF165S	DCB 165S	FDBI-165-S
RBFD-304S	Bi	30	ODF	1/2"	9.23	7.66	2.99	7.34	BFK-304S	BF304S	DCB 304S	FDBI-304-S
RBFD-305S	Bi	30	ODF	5/8"	9.23	7.74	2.99	7.34	BFK-305S	BF305S	DCB 305S	FDBI-305-S
RBFD-083	Bi	8	SAE	3/8"	5.71		52.5	3.54	BFK-083	BF083	DCB 083	FDBI-083
RBFD-084	Bi	8	SAE	1/2"	5.87		52.5	3.54	BFK-084	BF084	DCB 084	FDBI-084
RBFD-163	Bi	16	SAE	3/8"	6.59		2.99	4.43	BFK-163	BF163	DCB 163	FDBI-163
RBFD-164	Bi	16	SAE	1/2"	6.75		2.99	4.43	BFK-164	BF164	DCB 164	FDBI-164
RBFD-165	Bi	16	SAE	5/8"	7.19		2.99	4.43	BFK-165		DCB 165	FDBI-165